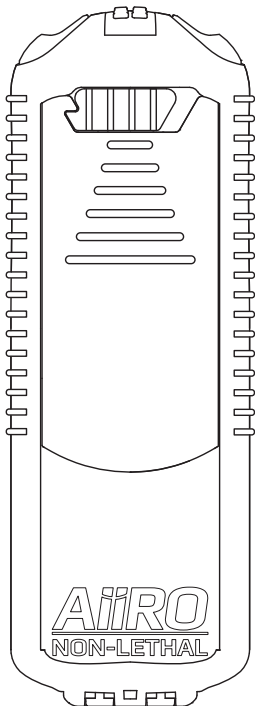


AiiRO[®]

CORE BY HERO.US.COM



USER GUIDE

Read this guide completely
before using your product.

U.S. Patents #11,519,700
and D995,703

A NON-LETHAL PRODUCT BY

HERO
DEFENSE SYSTEMS^{LLC}



HERO Defense Systems LLC may update this manual at any time. Updates can be found online at:

www.HERO.US.com

User Guide (Dec 2023)

Terms of Use	2
Limitations	3
Warnings	4
Product Overview	5
Product Description	6
Product Training	7
Safety and Action Buttons	8
Installing a New Cartridge	9
Firing	10
Storage and Cleaning	11
First Aid	12
Warranty	13
Contact Information	14

Terms of Use

Our primary concern is the safety of our customers and personnel. We offer a variety of media options outlining the features, descriptors, and operations to safely use our products. When purchasing, opening, or using our products, you assume all responsibility of the product. Read this manual, review our safety videos, and become familiar with the product(s) before powering on, loading, or using the device.

WARNING - HERO Defense Systems LLC manufactures and distributes “non-lethal” products. If used incorrectly, these products may cause serious injury or death. Our products are dangerous and should only be used by owners who have read the user guide and familiarized themselves with the product.

Read and follow the recommendations on the proper safety use and warnings of the product before you power on or enable any device. By using the product(s) you agree to these terms and assume all liability for the use of any of these devices.

If you do not agree to these terms, do not use the product.

Limitations



Our products may be restricted by local or state laws, regulations, or policies. Additionally, certain locations including federal buildings, state facilities, educational facilities, or other local groups may restrict the carry, use, and deployment of our products on their property. Review laws, restrictions, and policies before carrying or using personal self-defense products in your area.



HERO Defense Systems LLC products may not be carried on any commercial airplane. Refer to FAA and airline regulations for checked baggage guidance.



The use of this product is the direct responsibility of the owner/user of the product. By purchasing any of our products you are responsible for its use and the safety of those nearby when handling the product(s). The owner/user assumes all responsibility of injury, loss of life, damage to properties, or negligence of any kind that results in injury or loss.

Warnings



WARNING - NOT A TOY, NOT SAFE FOR CHILDREN.

Misuse may cause injury or death. Store with the safety on at all times and keep away from children.



WARNING - Cartridges contain PAVA, a powerful inflammatory agent causing intense burning sensations to exposed areas including skin, eyes, nose, and mouth. May induce temporary blindness and or cause temporary breathing issues.



WARNING - Do not store product(s) in extreme cold or heat. Store at a temperature of 32 - 100°F (0 -38°C).



WARNING - Cartridges are under high pressure. Do not point or fire at the face of any person. Always maintain a distance of 4-5 feet from others. Failure to do so may result in injury. When used properly this product is categorized as a non-lethal product.



WARNING - Fire buttons launch one payload per button press. Cartridges contain two payloads. To empty the contents of the cartridge, two complete buttons presses are required.



WARNING - Product contains removable, preloaded cartridges. Users must follow the steps provided in this manual or online training to change cartridges. Do not attempt to refill used cartridges. To avoid injury, do not disassemble cartridges or product.

Product Overview



1. Cartridge Access: Release tab to access cartridge.

2. Cartridge Safety Tab: Remove before use.

3. Cartridge: Simple to reload PavaGel cartridges.

4. Non Slip Grip: Rubber ridges make handling easy.

5. Safety Release: Slide to unlock safety badge.

6. Fire Buttons: Fire 2 payloads of sticky PavaGel.

7. Slide Badge: Slide to reveal action buttons.

Product Description

AllIRO® is an effective, simple to use non-lethal defense device. Easy to conceal and carry wherever you go, AllIRO® was designed to be used by anyone, anywhere. It works by launching powerful blasts of PavaGel at the target, covering them in a sticky and debilitating chemical irritant. The effects last up to an hour, giving you plenty of time to get to safety and find help. Cartridges hold two payloads of PavaGel, and are quick and easy to reload.

AllIRO® is engineered, assembled, and supported in the United States.

Specifications

Size:	2" x 5.7" x 1.35"
Weight:	127 g
Power:	Nitrogen
Payloads:	PavaGel
Shots:	2 shots per cartridge

Product Training

Fully read the contents of this user manual and view the training materials provided on our website before using your device. Every device owner is encouraged to train with their device at a practice range, using the training cartridges provided. Muscle memory acquired during proper training can make the difference when facing a dangerous or high stress situation.

Both training and active cartridges contain dye. Rinse with water immediately after use to prevent stains.

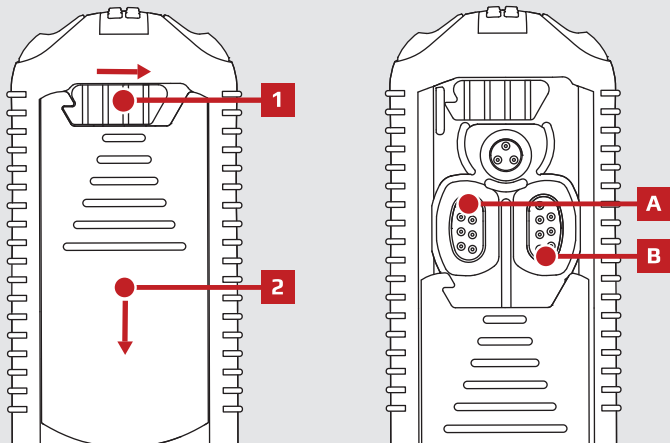
To view training materials or purchase additional cartridges visit our website:



Scan or Visit:

HERO.US.com/training

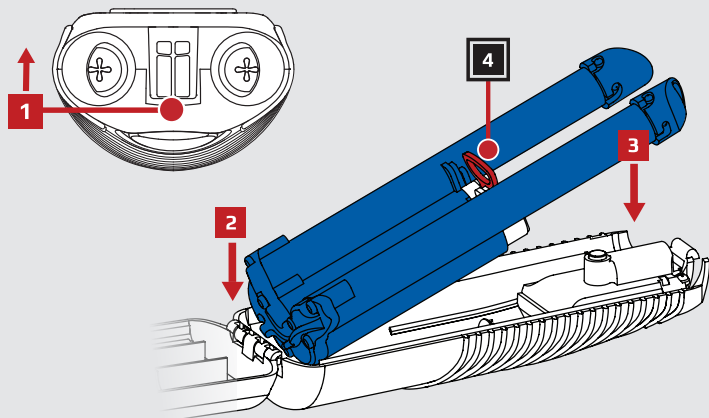
Safety and Action Buttons



Before your device can be fired, the safety mechanisms must be released:

1. Slide spring loaded Safety Release to the right to unlock.
2. Slide the Safety Badge down to reveal the action buttons.
3. Press the desired button to:
 - A. Fire left gel tube
 - B. Fire right gel tube

Installing a New Cartridge



Select your cartridge, either blue for training, or red for active use. Ensure safety is engaged, then:

1. Open main latch on front of launcher.
2. Lower back of training cartridge into launcher base.
3. Press down on front of cartridge until it snaps in.
4. Pull up to Remove Red Safety Tab.
5. Close launcher until it snaps shut.

Firing

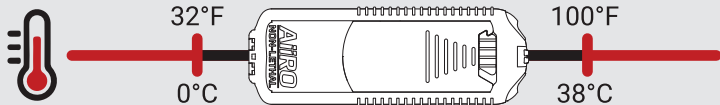
Our primary active ingredient is PAVA, a synthetic form of capsaicin known for its intense heat and irritation properties. A serious and powerful inflammatory, PAVA causes intense burning sensations to any exposed area including the eyes, nose, mouth, lungs, and skin for up to an hour. Properly targeted assailants experience temporary blindness, coughing, difficulty breathing, and burning sensations - allowing intended victims to escape and seek help.

PavaGel is a gel-like liquid fired at 200 FPS in a cone pattern, most effective at a distance of 12-15 feet. When firing, ensure your device is held level for greatest accuracy. We encourage every device owner to visit our website for training videos, resources, and more at: www.HERO.US.com/training

For added safety while training, wear your safety glasses or other protective lenses. Note cartridges contain strong dye. After firing, quickly rinse with water to prevent staining.



Storage and Cleaning



Storage

Store your device in a dry location with the safety engaged. To avoid damage to your device, do not store in locations with temperatures below 32°F (0°C) or above 100°F (38°C).

Cleaning

Use a damp cloth to clean the outside of your device.

Do not use chemical cleaners.

Do not submerge in water.

Do not attempt to disassemble your device.

The active ingredient in our products causes difficulty breathing, coughing, burning sensations, and temporary blindness. To treat exposure:

Eyes

Rinse eyes thoroughly with water and blink rapidly to help clear irritant.

Skin

Wash the affected skin with water and soap. Water alone will not fully remove irritant from skin. Do not use creams, salves, or oils to treat area. Baby shampoo can be used around sensitive areas such as the eyes. Note: Touching affected areas will transfer irritant to the hands and any subsequent areas touched.

If symptoms persist, or shortness of breath continues, seek medical assistance.

Limited Warranty

HERO® has the right to change this warranty at any time as allowed by US law. HERO Defense Systems LLC, referred to as “HERO®” and or the “Company”, grants a one-year manufacturing warranty for this product exclusively to the purchasing customer(s), including individuals, agencies, and professional firms, with proof of purchase by receipt issued on behalf of the company.

HERO® will provide a remedy, in its entirety, limited to a refund of the product(s) purchase price based on receipt, company credit of the purchase price, or exchange in product of equal value, at the convenience of HERO®, providing customer provides the exact product(s) purchased with all original materials delivered to the original customer, properly shipped by registered mail and received by the company with an accepted RMA number. The Returned Merchandise Authorization (RMA) number will be issued at the time of the customer service call by the customer to the company. The customer must send the defective unit to the authorized address provided.

Mishandling, neglecting, or disassembling the product or its accessories, or failure to properly store and use, as suggested in the user guide, voids this warranty.

View full Warranty, Disclaimer, and Limitations at:
HERO.US.com/terms-and-conditions/



Visit Us Online at:

www.HERO.US.com

@BringAHero



© 2023 HERO Defense Systems LLC
All Rights Reserved